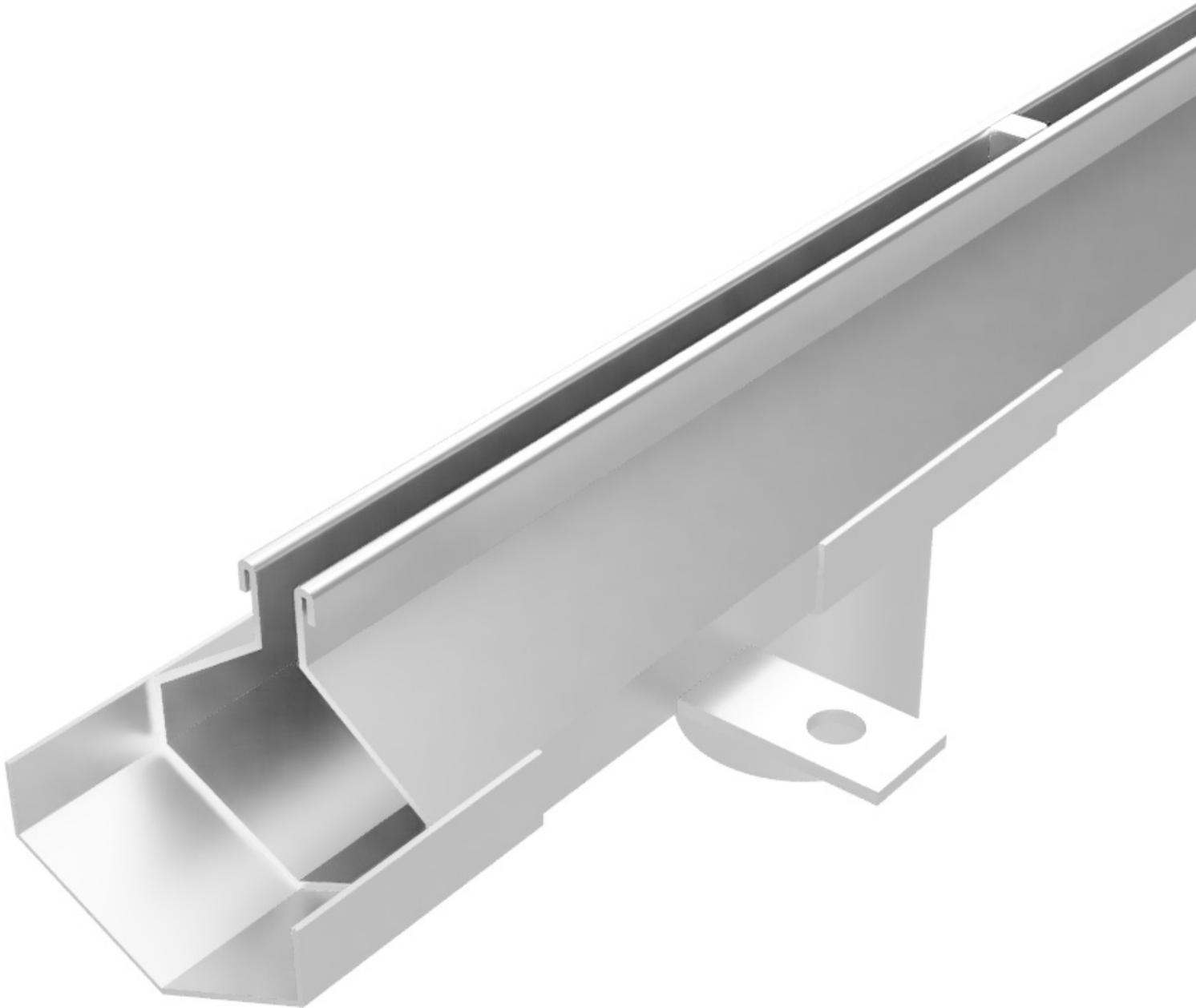


YETI Slotted

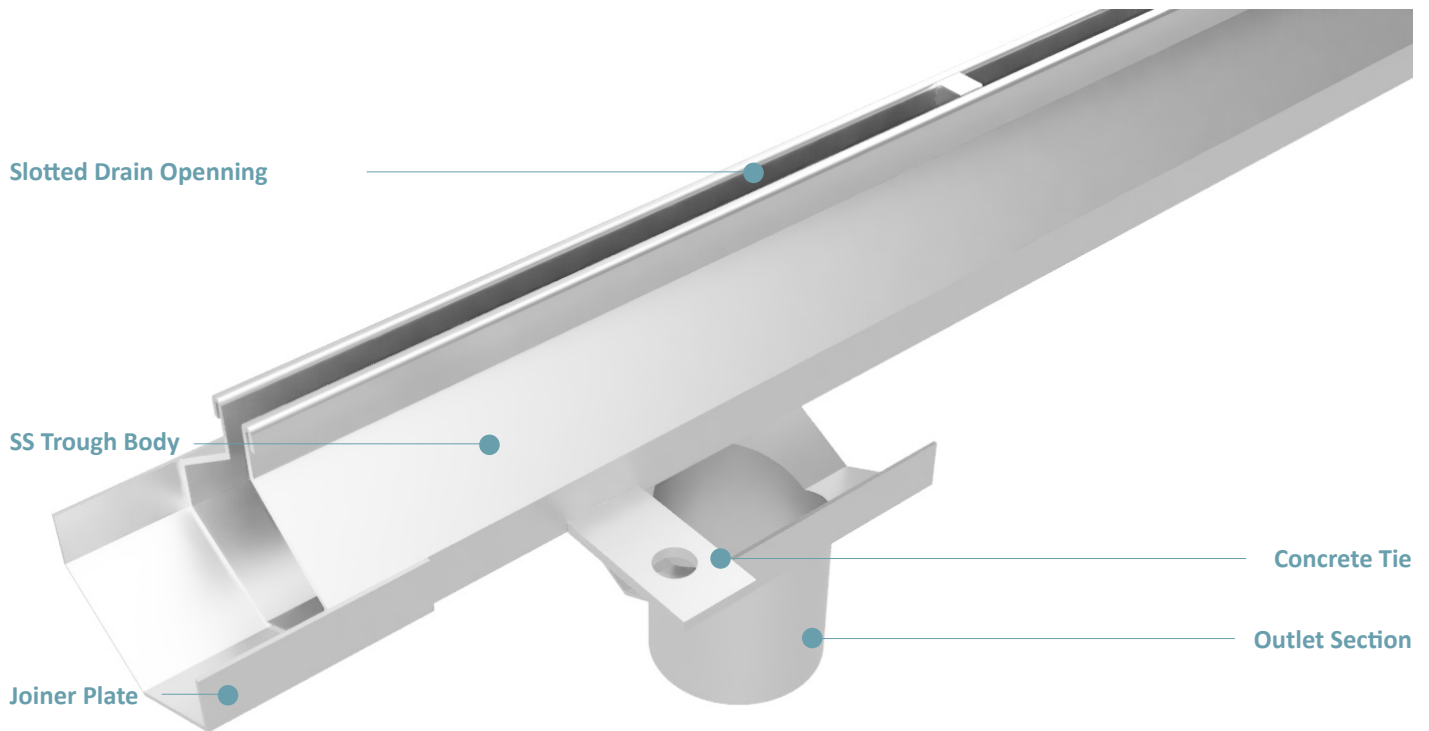
Stainless Steel Slotted Channel Drain System



Yeti
CIVIL PRODUCTS

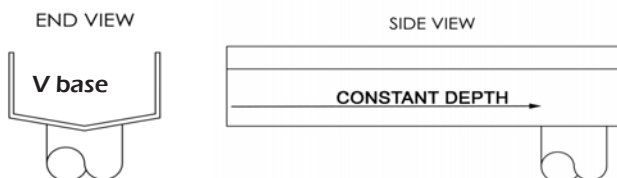
Call Yeti today on 1300 322 522

Yeti Slotted Range



Yeti Slotted Drains are a drainage system with minimal visibility from the surface. Our slotted drainage solutions are commonly used in areas such as landscaping, commercial food production, aquatic centres and street scapes. We start by taking an understanding of your site requirements including the type of surrounding surface, paver depths, drain capacity and traffic loadings. Once the site plan is known we recommend a system and quote according to your requirements. Yeti discrete drains will ultimately be supplied to solve your site drainage requirements whilst being largely hidden from view.

Channel Base Option

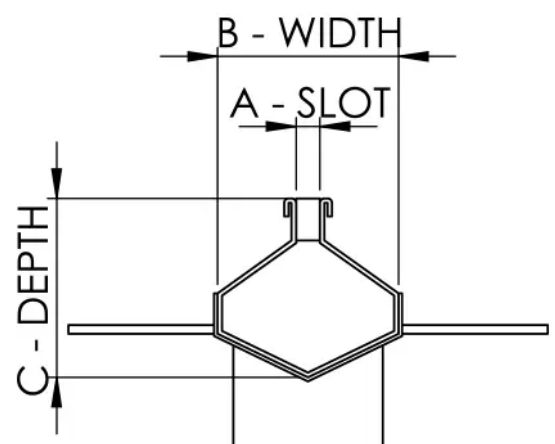


Specifications

Yeti Slotted Profile Options			
Dimension	A	B	C
Item Code	Slot width (mm)	Overall width (mm)	Drain depth (mm)
YSLOT8-60	8	60	60
YSLOT8-70	8	70	70
YSLOT10-60	10	60	60
YSLOT10-70	10	70	70
YSLOTSPECIAL	custom	custom	custom

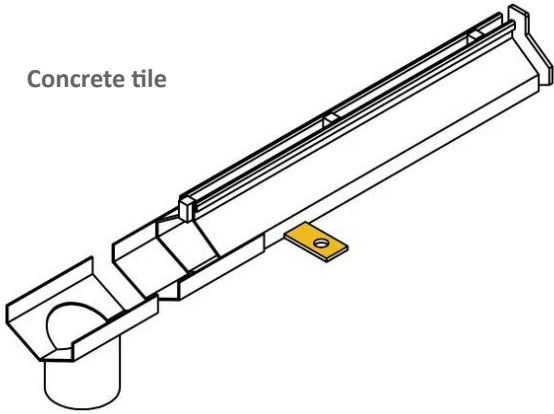
Outlet sizes: 38,44,50,63,76,89,101

Cross Section

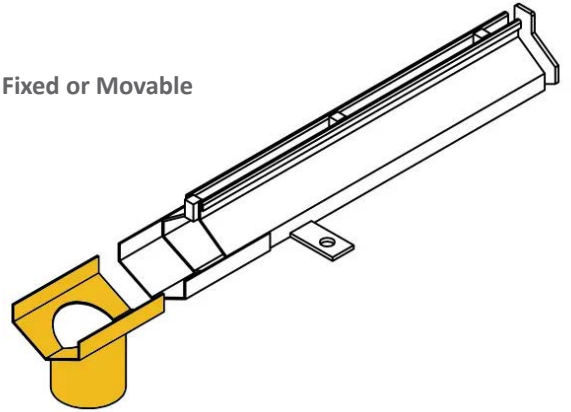


Product Feature

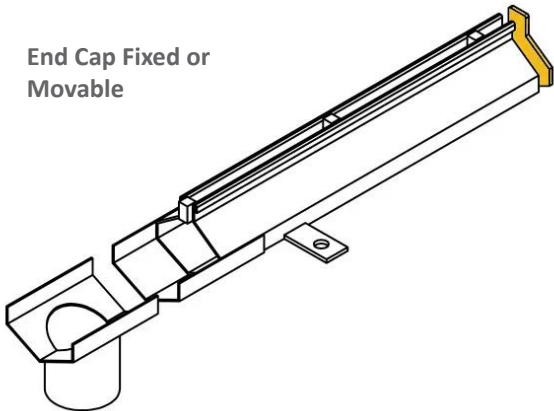
Concrete tile



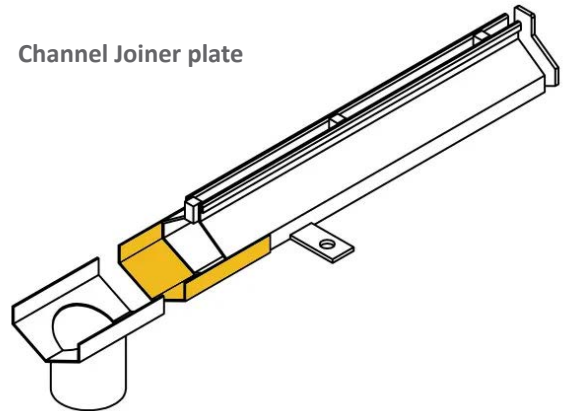
Outlet Fixed or Movable



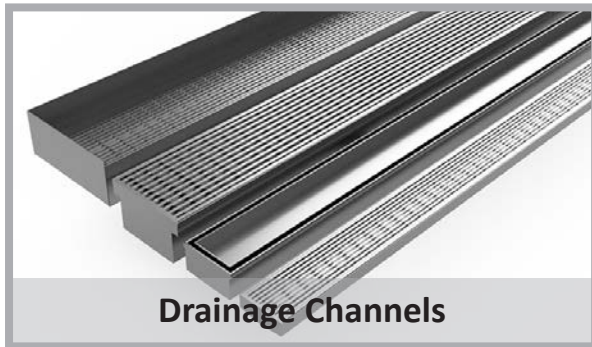
End Cap Fixed or Movable



Channel Joiner plate



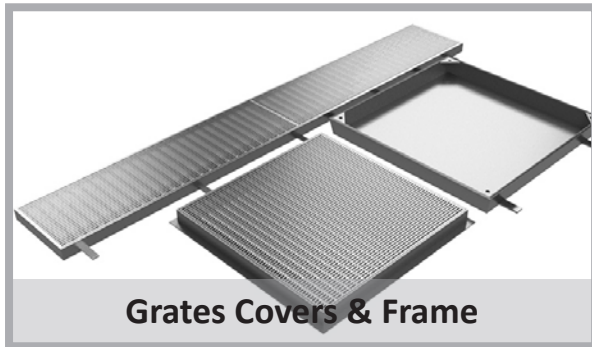
Contact Yeti today to discuss the best solution for your project



Drainage Channels



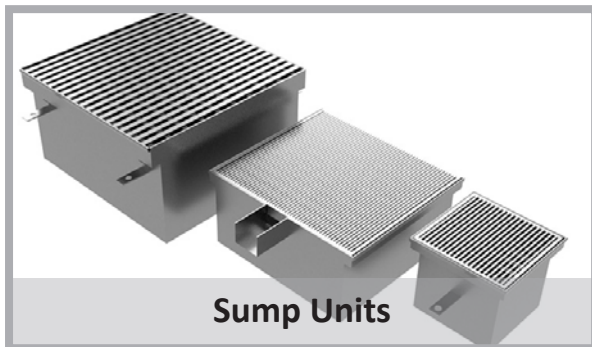
Drainage Grates



Grates Covers & Frame



Walkway Grating



Sump Units



Yeti Point Drain



Yet Airflow



Yeti Entry Mats

Yeti Civil Products Pty. Ltd
Ph: 03 9869 3299
E: sales@yeticivil.com.au
W: www.yeticivil.com.au
A: 42G Maffra Street, Coolaroo, VIC 3048

Yeti
CIVIL PRODUCTS