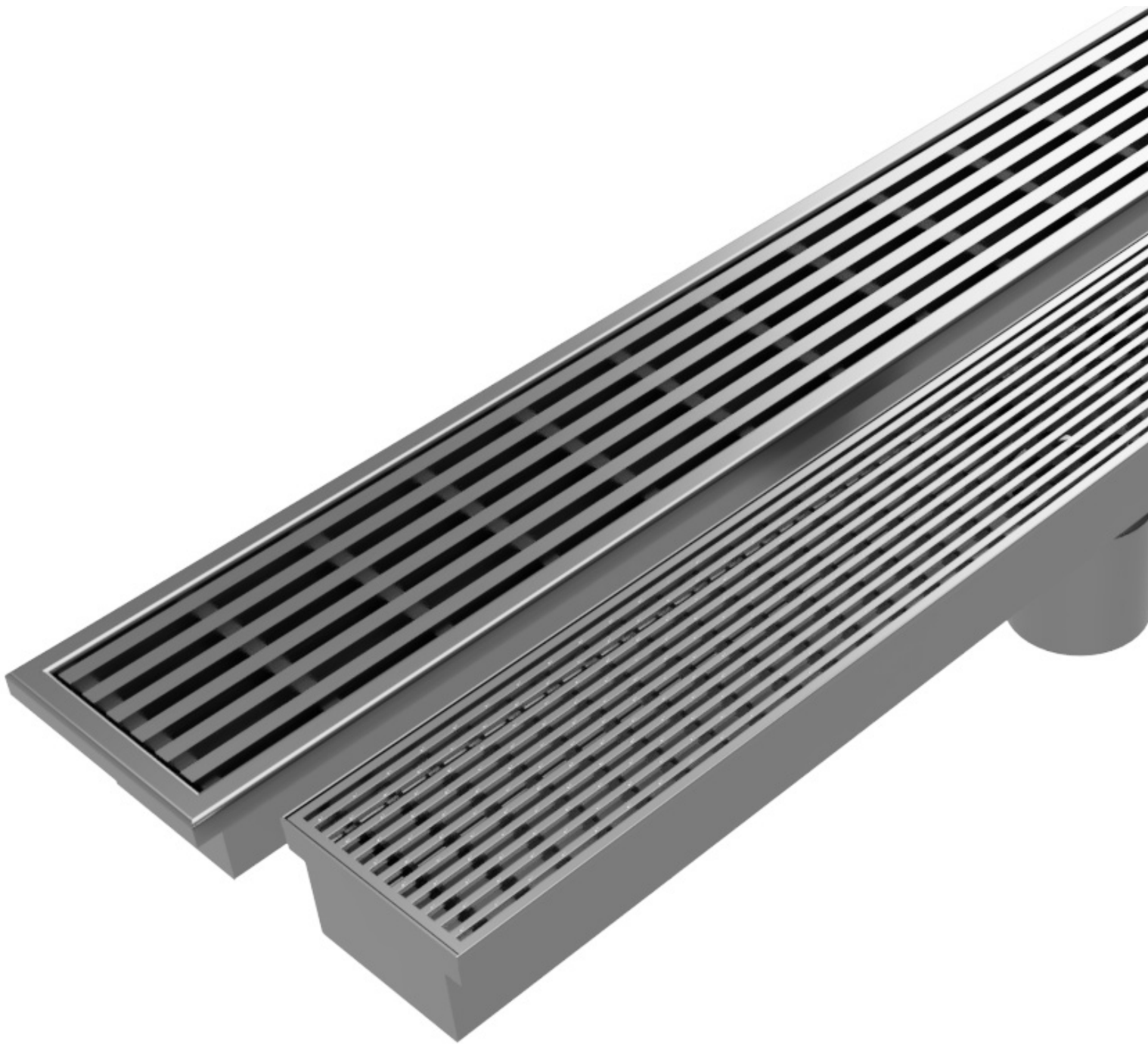


# **YETI** High Flow

Stainless Steel High Flow Drain System

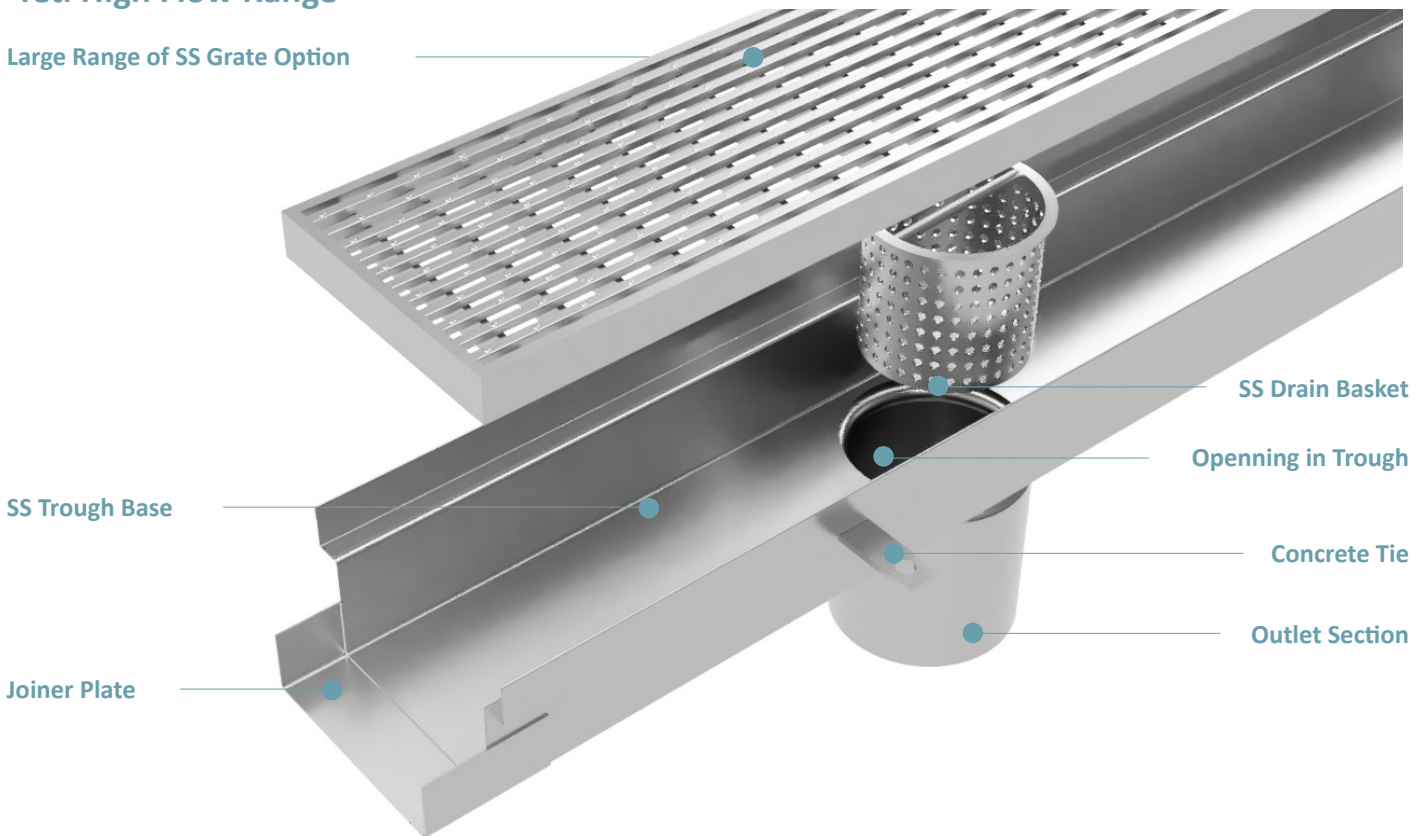


**Yeti**  
CIVIL PRODUCTS

Call Yeti today on 1300 322 522

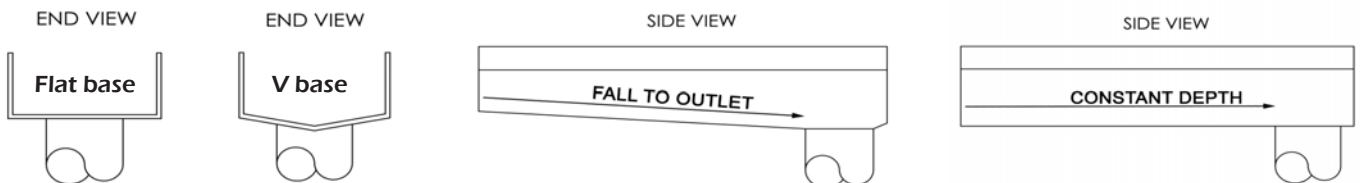
## Yeti High Flow Range

Large Range of SS Grate Option



Yeti high flow range is the best solution for internal and external areas requiring collection and discharge of high volumes of surface liquids. The high flow drainage channel range can be manufactured with flat base, v base or sloped base options meaning that it can be used for stormwater and draining to sewer. Yeti high flow is used predominantly in kitchen, deli, food preparation and trade waste areas as well as large outdoor stormwater projects. Yeti high flow features increased hydraulic discharge and grate options to suit all applications.

## Channel Base Option

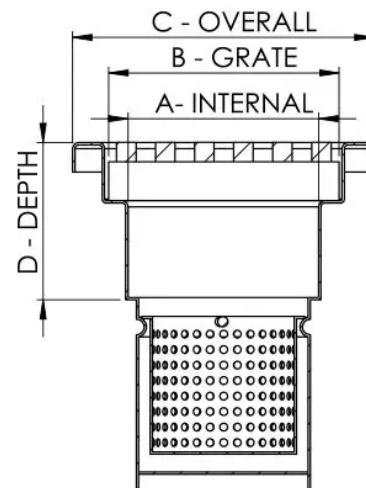


## Specifications

Yeti High Flow Profile Options				
Dimension	A	B	C	D
Item Code	Clear Opening (mm)	Grate width (mm)	Overall width (mm)	Drain depth (mm)
YHF60-40	60	75	85	40
YHF60-50	60	75	85	50
YHF60-60	60	75	85	60
YHF85-40	85	100	110	40
YHF85-50	85	100	110	50
YHF85-60	85	100	110	60
YHF100-40	100	125	135	40
YHF100-50	100	125	135	50
YHF100-70	100	125	135	70
YHF100-100	100	125	135	100
YHF150-40	150	175	185	40
YHF150-50	150	175	185	50
YHF150-70	150	175	185	70
YHF150-150	150	175	185	150
YHF200-40	200	225	235	40
YHF200-50	200	225	235	50
YHF200-100	200	225	235	100
YHF200-150	200	225	235	150
YHF200-200	200	225	235	200
YHF300-50	300	325	335	50
YHF300-100	300	325	335	100
YHF300-150	300	325	335	150
YHF300-200	300	325	335	200
YHF300-300	300	325	335	300
YHFSPECIAL	custom	custom	custom	custom

Outlet sizes: 38,44,50,63,76,89,101

## Cross Section



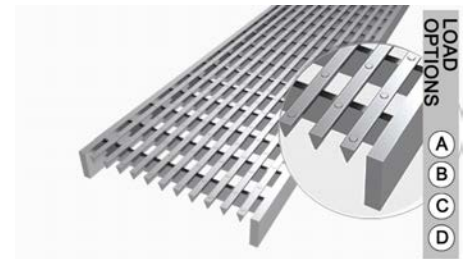
## Grating Options



Yetil 5x10 heelguard



Yetil 5x5 heelguard



Yetil 5x5 heelgrip



Yetil 3x5 heelguard



Yetil 3x3 heelguard



Yetil square bar heelguard



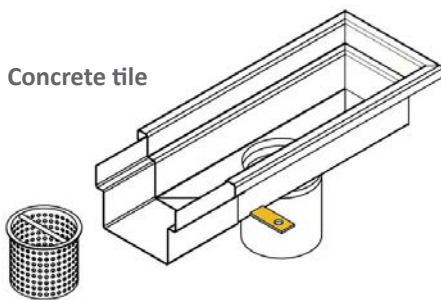
Yetil flowmaster



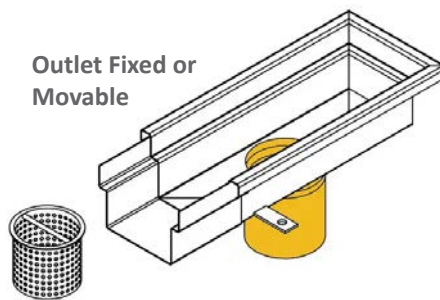
Yetil tile slot

## Product Feature

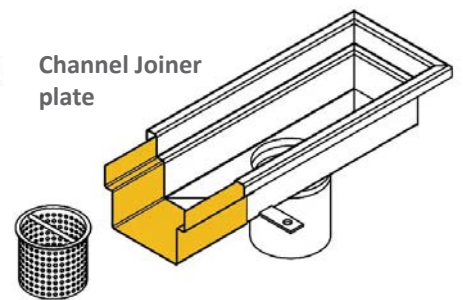
Concrete tile



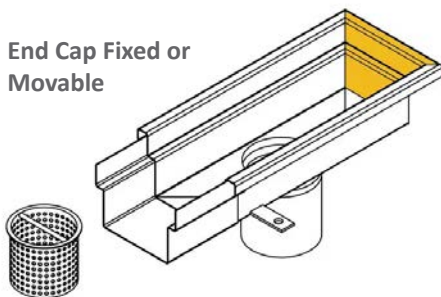
Outlet Fixed or Movable



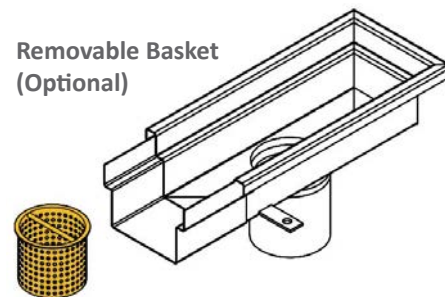
Channel Joiner plate



End Cap Fixed or Movable



Removable Basket (Optional)





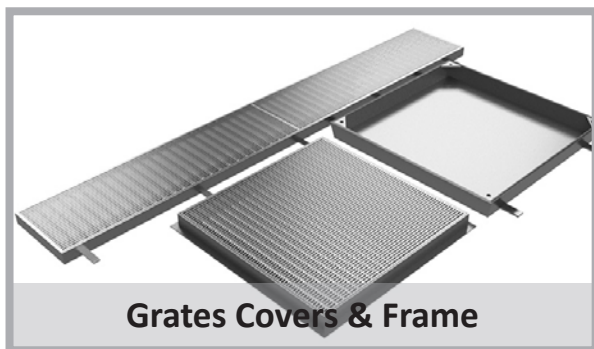
Contact Yeti today to discuss the best solution for your project



**Drainage Channels**



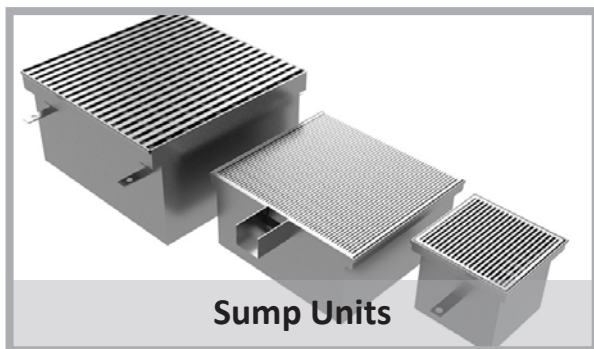
**Drainage Grates**



**Grates Covers & Frame**



**Walkway Grating**



**Sump Units**



**Yeti Point Drain**



**Yet Airflow**



**Yeti Entry Mats**

Yeti Civil Products Pty. Ltd  
Ph: 03 9869 3299  
E: [sales@yeticivil.com.au](mailto:sales@yeticivil.com.au)  
W: [www.yeticivil.com.au](http://www.yeticivil.com.au)  
A: 42G Maffra Street, Coolaroo, VIC 3048

