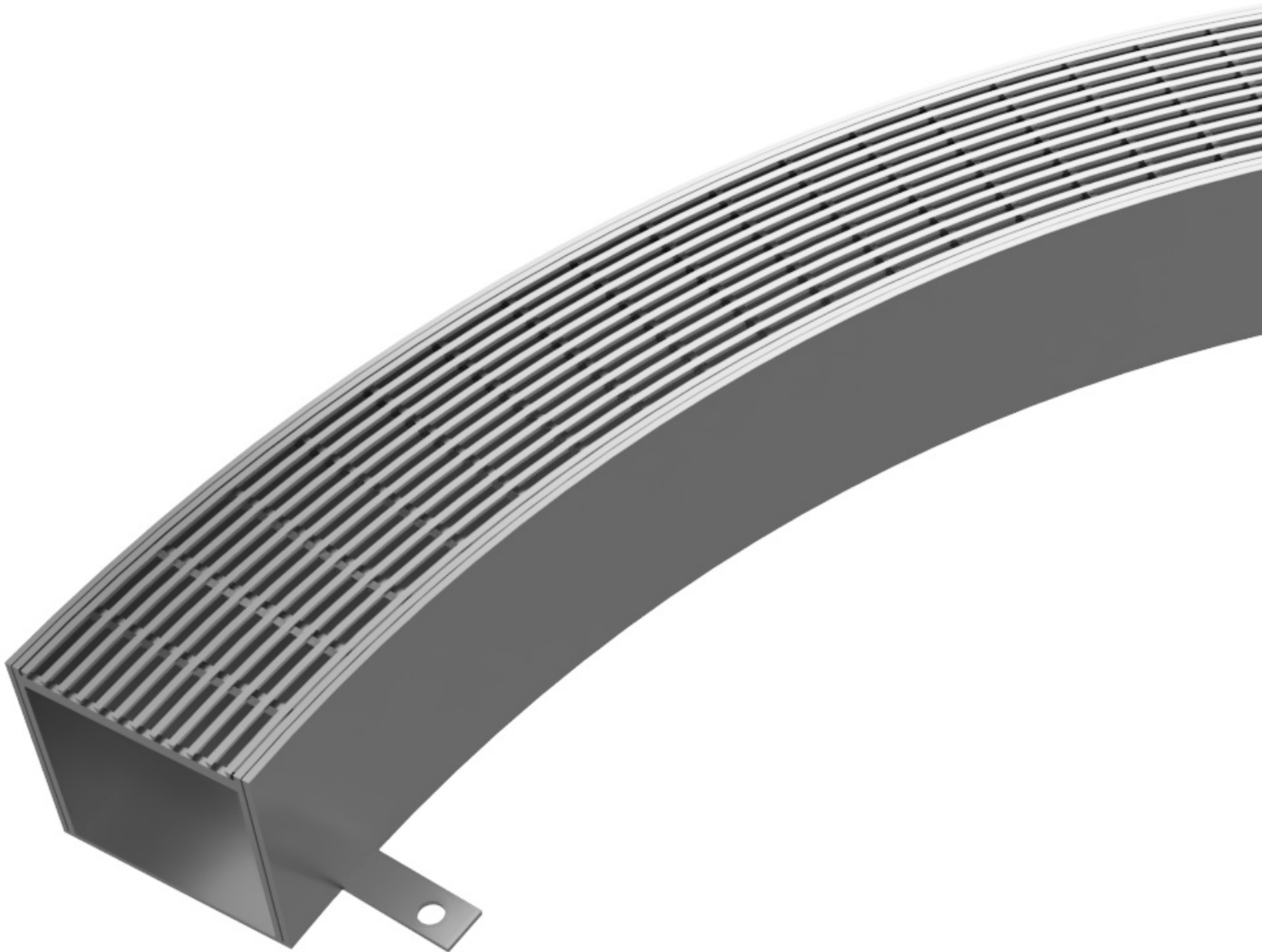


# **YETI** CURVE

Stainless Steel Curve Channel Drain



**Yeti**  
CIVIL PRODUCTS

Call Yeti today on 1300 322 522

## Yeti Curve Range

Wide Range of SS Grate Options

SS Trough Base

Opening in Trough

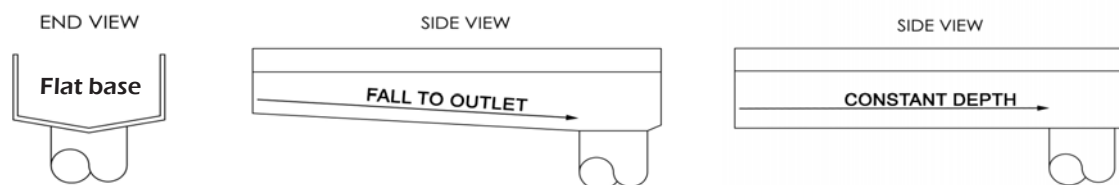
Joiner Plate

Concrete Tie

Outlet Section

Yeti Curved drain is a drainage system which is curved to suit your on site requirements. Do you have a curved entrance door, curved windows, curved retaining wall or other curved feature that you need to drain around? Send us your plans and we will custom design a curved drainage system to suit your project. Our drains are curved to suit your required radius, eliminating the need to segment a curve from straight sections of drainage channels. Our aim is to supply you with a drainage system that achieves the aesthetic goals of your project whilst successfully draining stormwater away from the surface.

## Channel Base Option

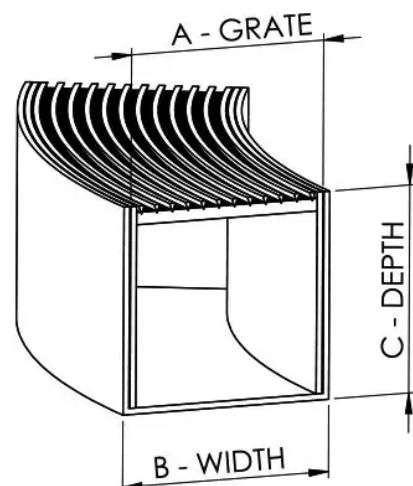


## Specifications

Yeti Curved Profile Options			
Dimension	A	B	C
Item Code	Grate width (mm)	Overall width (mm)	Drain depth (mm)
YCVD75-50	75	85	50
YCVD75-70	75	85	70
YCVD75-100	75	85	100
YCVD100-50	100	110	50
YCVD100-70	100	110	70
YCVD100-100	100	110	100
YCVD150-50	150	160	50
YCVD150-70	150	160	70
YCVD150-100	150	160	100
YCVD200-50	200	210	50
YCVD200-70	200	210	70
YCVD200-100	200	210	100
YCVDSPECIAL	custom	custom	custom

Outlet sizes: 38,44,50,63,76,89,101

## Cross Section



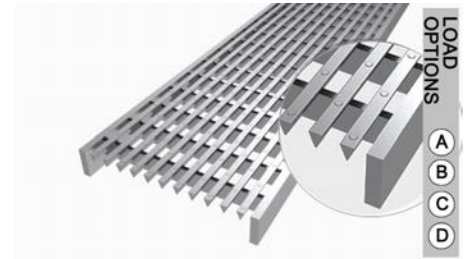
## Grating Options



Yetil 5x10 heelguard



Yetil 5x5 heelguard



Yetil 5x5 heelgrip



Yetil 3x5 heelguard



Yetil 3x3 heelguard



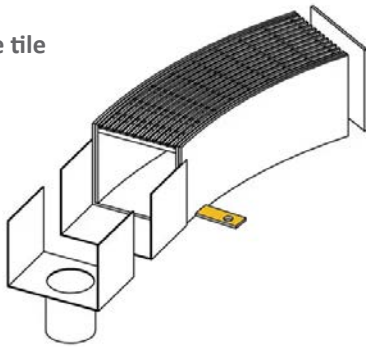
Yetil square bar heelguard



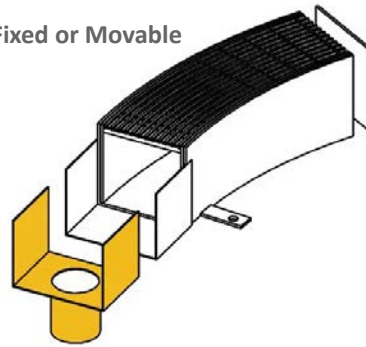
Yetil tile slot

## Product Feature

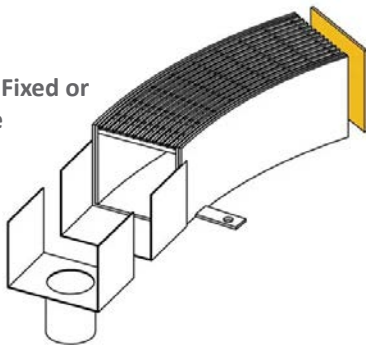
Concrete tile



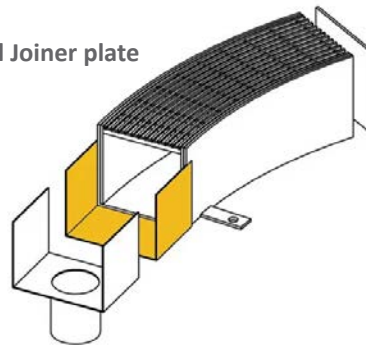
Outlet Fixed or Movable



End Cap Fixed or Movable



Channel Joiner plate





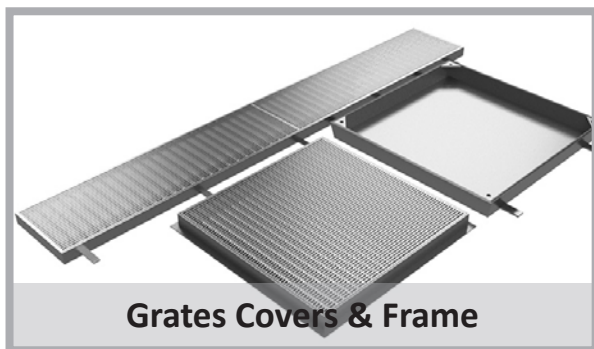
Contact Yeti today to discuss the best solution for your project



**Drainage Channels**



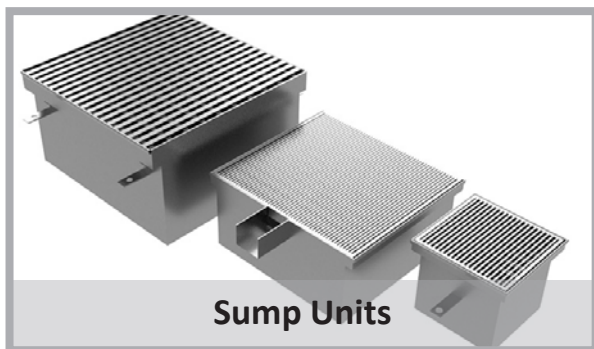
**Drainage Grates**



**Grates Covers & Frame**



**Walkway Grating**



**Sump Units**



**Yeti Point Drain**



**Yet Airflow**



**Yeti Entry Mats**

Yeti Civil Products Pty. Ltd  
Ph: 03 9869 3299  
E: [sales@yeticivil.com.au](mailto:sales@yeticivil.com.au)  
W: [www.yeticivil.com.au](http://www.yeticivil.com.au)  
A: 42G Maffra Street, Coolaroo, VIC 3048

