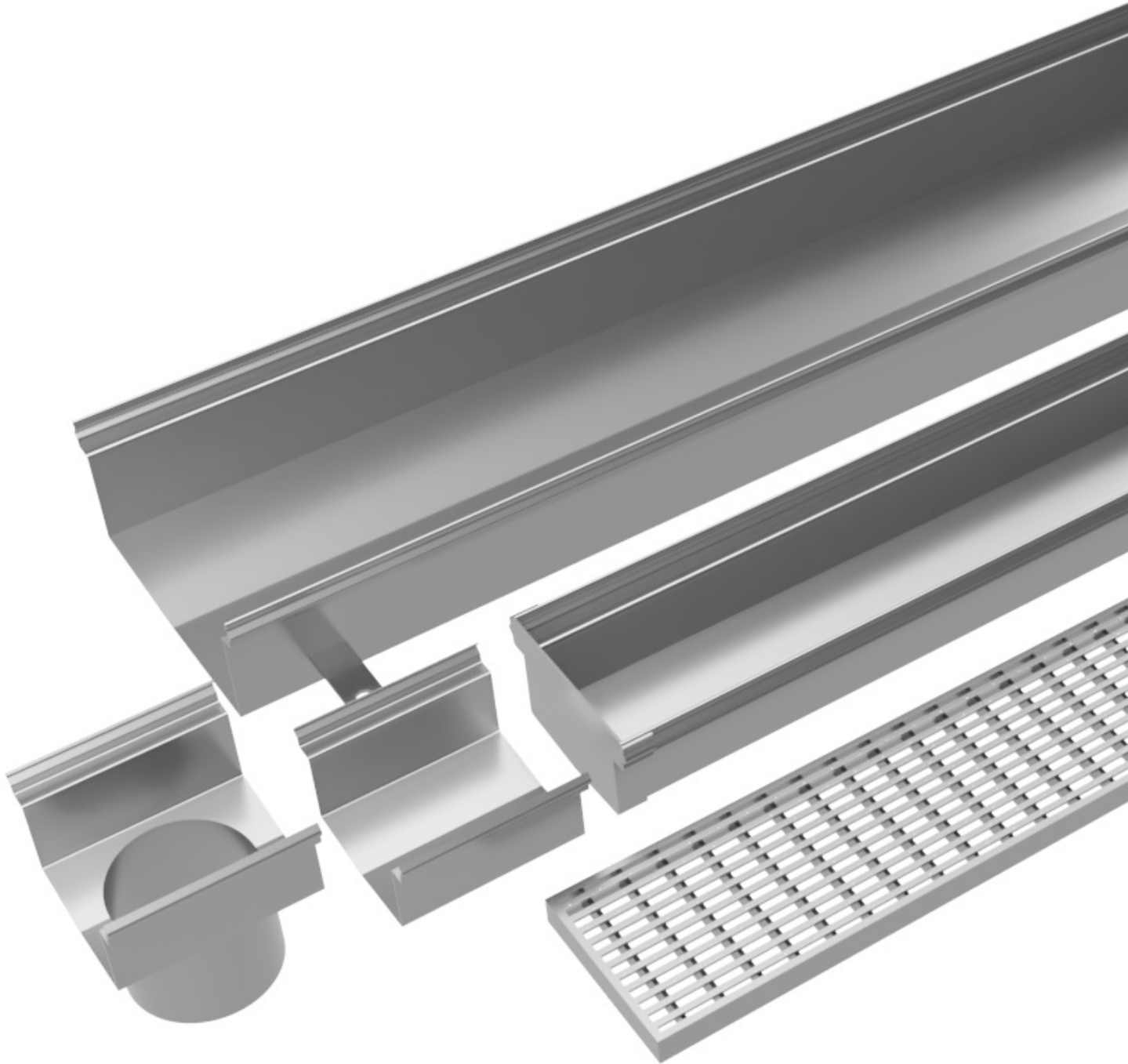


# **YETI** Connect

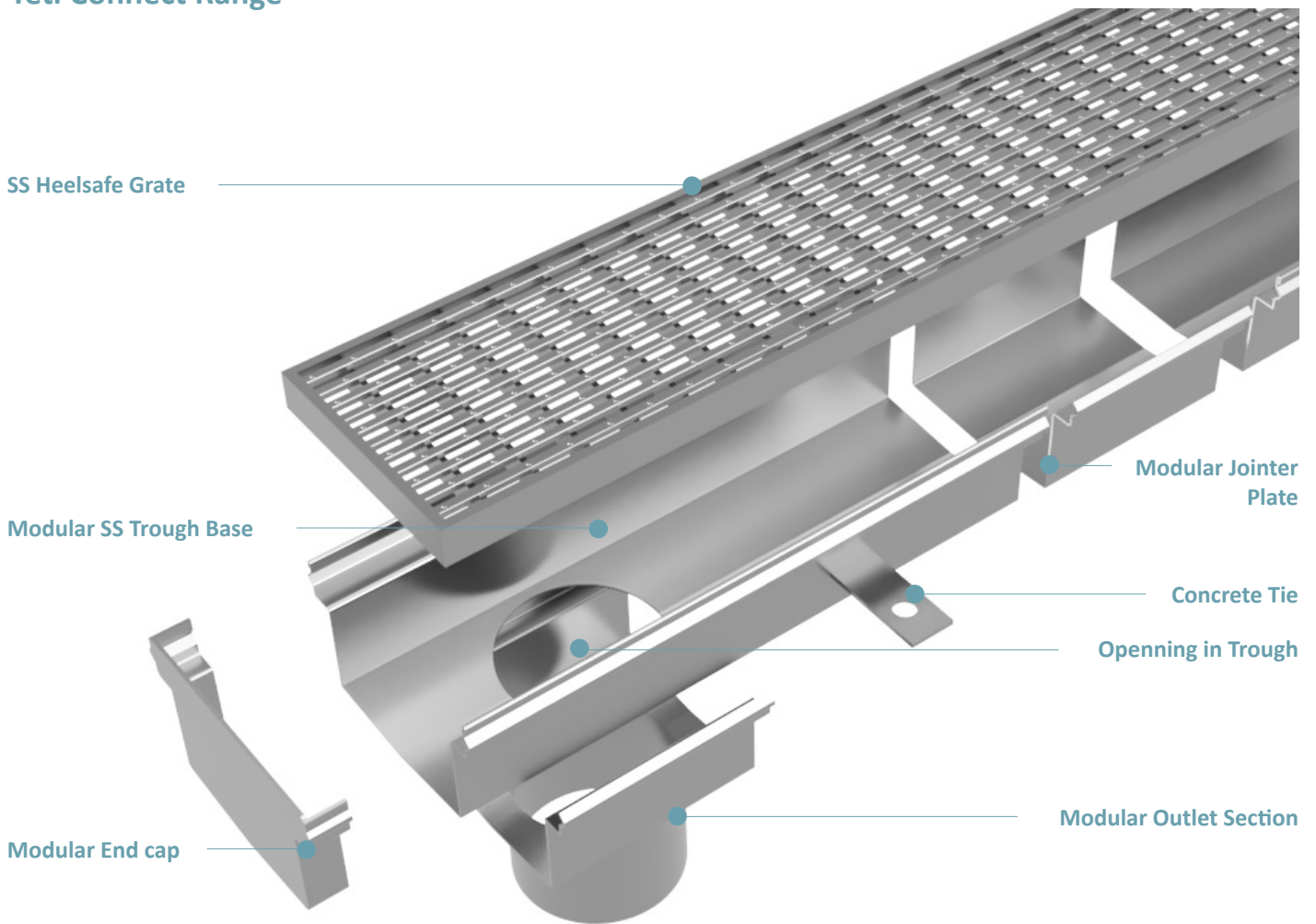
Stainless Steel Modular Drain System



**Yeti**  
CIVIL PRODUCTS

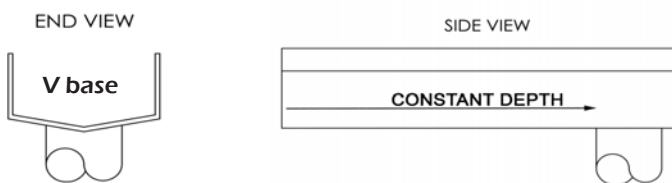
Call Yeti today on 1300 322 522

## Yeti Connect Range



Yeti Connect is our off the shelf modular stainless steel channel and grate system with connecting joiners, end caps and outlets. Yeti Connect is designed for a broad range of drainage applications including stormwater in bathroom, balcony, poolside, driveway or landscaping projects. You can select from heelguard slip resistant grate options suitable for pedestrian, car or truck traffic depending on your requirements. Yeti Connect allows you to easily and quickly install long runs of channels with premium results.

## Channel Base Option

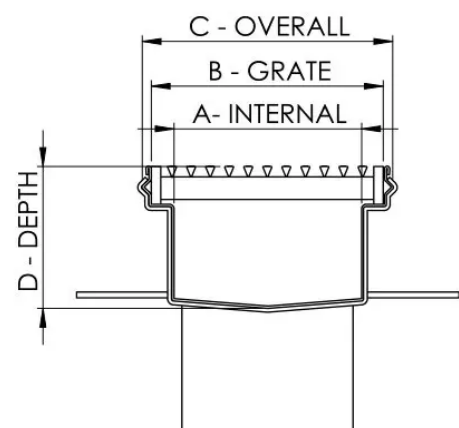


## Specifications

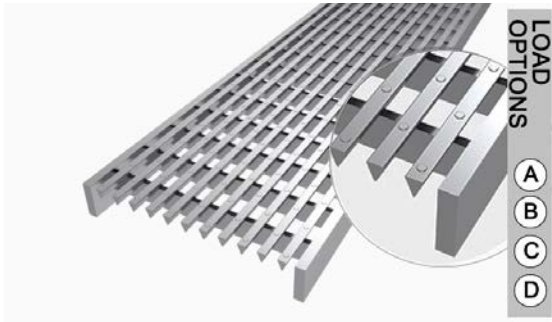
Yeti Connect Profile Options				
Dimension	A	B	C	D
Item Code	Clear Opening (mm)	Grate width (mm)	Overall width (mm)	Drain depth (mm)
YC100	100	125	135	75
YC200	200	220	230	95

Outlet sizes: 75, 89, 101

## Cross Section

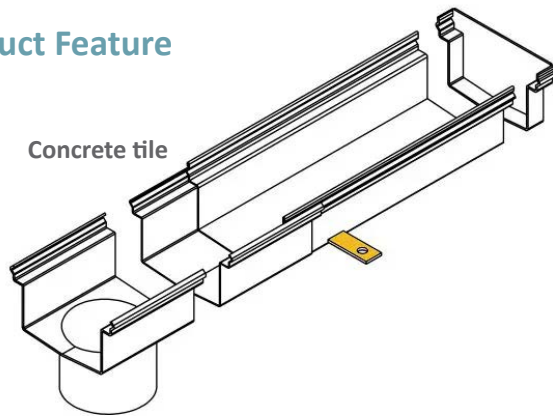


## Grating Options

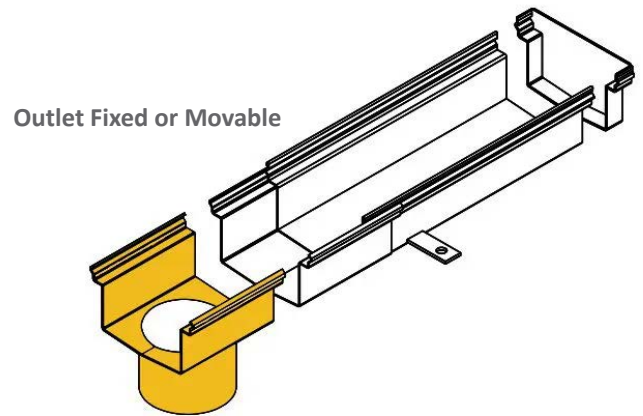


Yetil 5x5 heelgrip

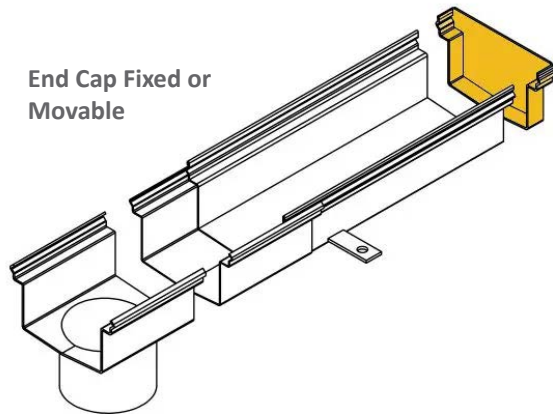
## Product Feature



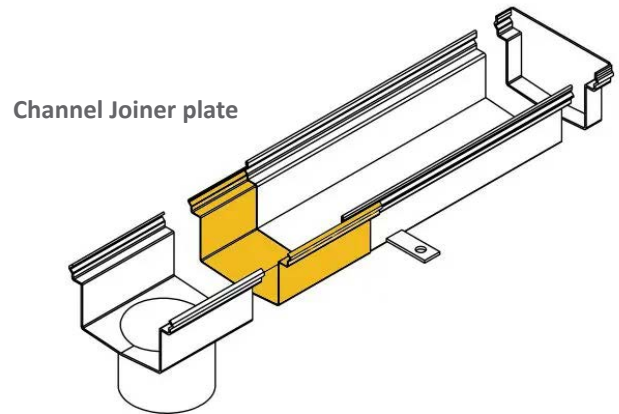
Concrete tile



Outlet Fixed or Movable



End Cap Fixed or Movable



Channel Joiner plate

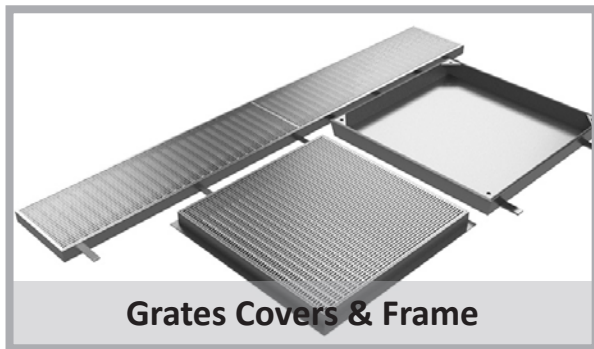
Contact Yeti today to discuss the best solution for your project



**Drainage Channels**



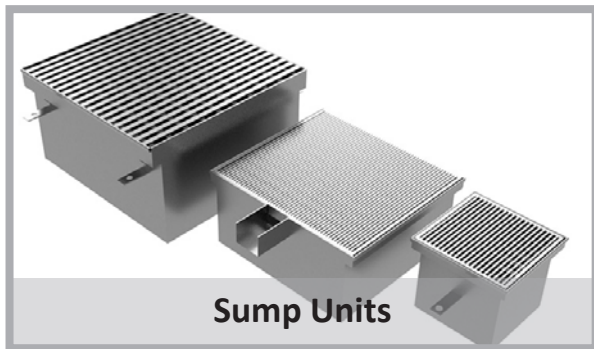
**Drainage Grates**



**Grates Covers & Frame**



**Walkway Grating**



**Sump Units**



**Yeti Point Drain**



**Yet Airflow**



**Yeti Entry Mats**

Yeti Civil Products Pty. Ltd  
Ph: 03 9869 3299  
E: [sales@yeticivil.com.au](mailto:sales@yeticivil.com.au)  
W: [www.yeticivil.com.au](http://www.yeticivil.com.au)  
A: 42G Maffra Street, Coolaroo, VIC 3048

**Yeti**  
CIVIL PRODUCTS